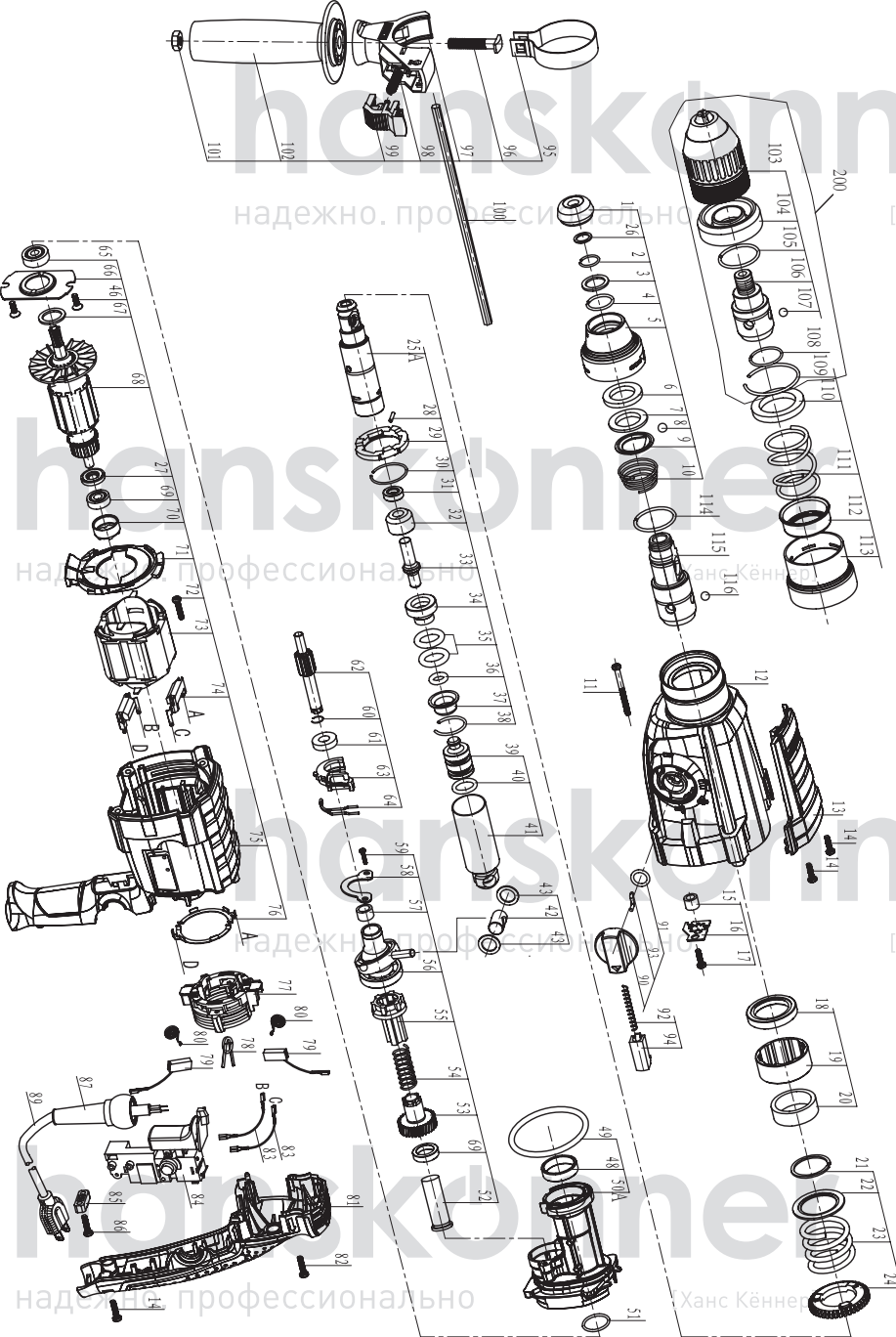


HRH0828REC



NO.	DESCRIPTION	NO.	DESCRIPTION	NO.	DESCRIPTION
1	DUST CAP	38	STELL WIRE SPRING 27.5X1.5	80	SPRING
2	RING SPRING OF DUST CAP 14X1.5	39	PISTON	81	BACK COVER
3	WASHER FOR DUST CAP 16X22X1	40	PISTONO-RING 15X3	82	ST4.1X16SELF-TAPPING BOLT
4	RING SPRING OF DUST CAP 19X2	41	CYLINDER	83	ROTOR INSERT LINE 120MM
5	LOCKING SLEEVE	42	CYLINDER KEY	84	SWITCH
6	WASHER FOR DUST CAP 21X32X4	43	CYLINDER WASHER	85	PRESS CALE BOARD
7	WASHER C24.8X30.6X1	48	BRACKET SLEEVE	86	ST3.9X15 SELF-TAPPING BOLT
8	STELL BALL C7.14	49	BRACKET O RING	87	CABLE COVER
9	RING SPRING FLORIATE WASHER	50A	BRACKET	89	CABLE 2X0.75MM
10	TOWER-SHAPED SCREW	51	O-RING 23.8X22	90	MODEL SELECTOR KNOB
11	ST4.1X45SELF-TAPPING BOLT	52	GEAR FIXED	91	MODEL SELECTOR O-RING 11X2.5
12	GEAX BOX	53	38 DENS SLANTING GEAR	92	MODEL SELECTOR SPRING 5.8X44
13	GEAX BOX COVER	54	CLUTCH SPRING	93	MODEL SELECTOR IRON CORE
14	ST4.2X11SELF-TAPPING BOLT	55	CLUTCH	94	MODEL SELECTOR RED KNOB
15	HK0709 NEEDLE BEARING	56	ASWAY-POLED BEARING	95	HANDLE STEEL RING
16	NINE DENS WASHER	57	NEEDLE BEARING HK0908	96	T BOLT
17	ST4.2X11 SELF-TAPPING BOLT	58	ASWAY-POLED BEARING PRESSURE BOARD	97	HANDLE SEAT
18	OIL SEAL 30X41X7	59	M5X16 CREW	98	DEPTH GAUGE LOCK SPRING
19	HK3012 BEARING SLEEVE	60	CIRCLIP	99	DEPTH GAUGE LOCK
20	HK3012 ROLL PIN	61	699 BEARING	100	DEPTH GAUGE
21	OUTER FLATE RING SPRING OF ROTOR SLEEVE	62	MID-AXIAL	101	M8 BOLT
22	DRILL COVER WASHER	63	MODEL SELECTOR FORK	102	ASSISTANT HANDLE
23	DRILL COVER SPRING	64	MODEL SELECTOR FORK SPRING	103	KEYLESS CHUCK
24	40 DENS GEAR	65	609BEARING	104	CONNECTION SLEEVE
25A	DRILL COVER	66	609BEARING PRESSURE BOARD	105	STEEL RING Ø25X2
26	WASHER	68	ARMATURE	106	CONNECTION ROD
27	CONNECTION DRILL COVER	69	607BEARING	107	STEEL BALL
28	POSITION-KEY 2.5X12	70	BEARING COVER	108	STEEL RING Ø22X1.5
29	POSITION-LIMITED RING	71	BOARD AGAINST WIND	109	STEEL RING Ø42X2
30	OUTER RING SPRING OF ROTOR SLEEVE	72	ST3.5X16 SELF-TAPPING BOLT	110	WASHER
31	OIL SEAL 9X16X5	73	STATOR	111	SPRING
32	POSITION-LIMITED SLEEVE OF SPINDLE	74	INDUCTANCE	112	HOLDING BUSH
33	SPINDLE	75	SHELL	113	HOLDING BUSH COVER
34	SPINDLE SETS	76	SPRING PIECE	114	STEEL RING Ø25X2
35	SPINDLE SETS O-RING 16.2X4.5	77	BRACKET OF ELECTRIC BRUSH	115	SMALL DRILL COVER
36	POSITION-LIMITED O-RING 9.6X3.5	78	SPRING	116	STEEL BALL
37	POSITION-LIMITED COVER	79	ELECTRIC BRUSH	200	QUICKLY CHANGE CHUCK

RU-HS20190521-02